

BM34063AH

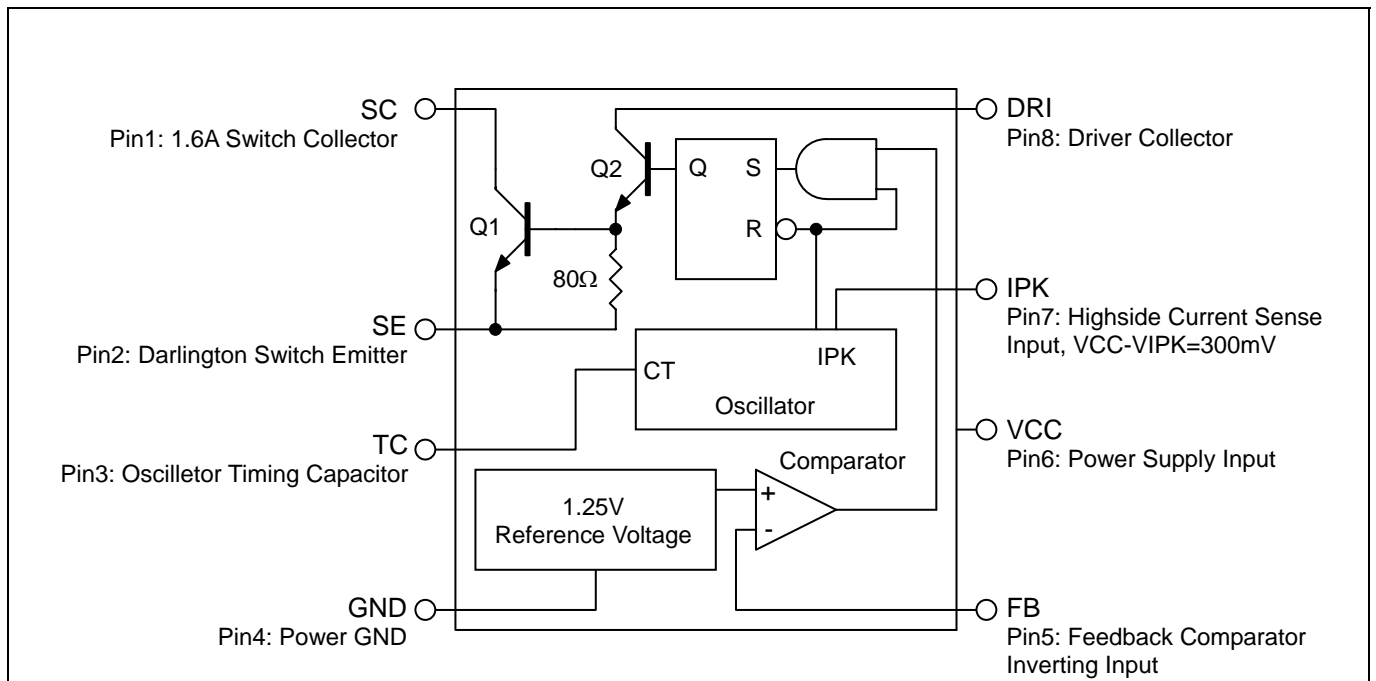
DC-DC CONVERTER

Absolute Maximum Ratings

(Ta=25°C, Unless Otherwise Specified)

Parameter	Symbol	Value		Unit
Power Supply Voltage	V _{CC}	40		V
Comparator Input Voltage Range	V _{ir}	-0.3~+40		V
Switch Collector Voltage	V _{C(SW)}	40		V
Switch Emitter Voltage	V _{SWE}	40		V
Switch Emitter to Collector Voltage	V _{CE}	40		V
Driver Collector Voltage	V _{C(DR)}	40		V
Switch Current	I _{SW}	1.5		A
Power Dissipation at Ta=25°C	P _D	SOP-8	1.5	W
Operating Ambient Temperature Range	T _{opr}	0~+70		°C
Storage Temperature Range	T _{stg}	-65~+150		°C
Operating Junction Temperature	T _{opj}	120		°C
Thermal Resistance Junction-ambient	θJA	125		°C/W

Block Diagram



BM34063AH

DC-DC CONVERTER

Electrical Characteristics (V_{CC}=5V, Ta=0~70°C, unless otherwise specified)

Parameter	Symbol	Test Condition	Min.	Typ.	Max.	Unit
<i>Oscillator</i>						
Charging Current	I _{chg}	V _{CC} =5~40V, Ta=25°C	10	25	40	uA
Discharge Current	I _{dischg}	V _{CC} =5~40V, Ta=25°C	140	190	240	uA
Frequency	f _{OSC}	V _{PIN5} =0, C _T =1nF, Ta=25°C	32	42	52	KHz
Discharge to Charge Current Ratio	I _{dischg} /I _{chg}	V _{PIN7} =V _{CC} , Ta=25°C	5.2	6	7.5	
Current Limit Sense Voltage	V _{IPK}	I _{dischg} =I _{chg} , Ta=25°C	250	300	350	mV
<i>Output Switch</i>						
Saturation Voltage, Darlington Connection	V _{CE(sat) 1}	I _{SW} =1A, V _{C(SW)} =V _{C(DR)}	-	1	1.3	V
Saturation Voltage	V _{CE(sat) 2}	I _{SW} =1A, I _{C(DR)} =50mA	-	0.4	0.7	V
DC Current Gain	h _{FE}	I _{SW} =1A, V _{CE} =5V	35	120	-	
Collector Off-State Current	I _{CC(off)}	V _{CE} =40V, Ta=25°C	-	10	100	uA
<i>Comparator</i>						
Threshold Voltage	V _{FB}		1.23	1.25	1.27	V
Threshold Voltage Line Regulation	ΔV _{FB}	V _{CC} =5~40V	-	1.5	6	mV
Input Bias Current	I _{IB}	V _{IN} =0V	-	40	400	nA
<i>Total Device</i>						
Supply Current	I _{CC}	V _{CC} =5~40V, V _{PIN7} =V _{CC} , V _{PIN5} >V _{FB} , C _T =0.001uF, Pin7=GND, Remaining pins open	-	1.6	3	mA

Application Information

Design Formula Table

Calculation	Step-Down	Step-Up	Voltage-Inverting
t _{on} /t _{off}	(V _{out} +V _F)/(V _{in(min)} -V _{sat} -V _{out})	(V _{out} +V _F -V _{in(min)})/(V _{in(min)} -V _{sat})	(V _{out} +V _F)/(V _{in(max)} -V _{sat})
(t _{on} +t _{off}) max	1/F _{min}	1/F _{min}	1/F _{min}
C _T	4*10 ⁻⁵ t _{on}	4*10 ⁻⁵ t _{on}	4*10 ⁻⁵ t _{on}
I _{C(sw)}	2*I _{out(max)}	2*I _{out(max)} (t _{on} +t _{off} /t _{off})	2*I _{out(max)} (t _{on} +t _{off} /t _{off})
R _S	0.3/I _{C(sw)}	0.3/I _{C(sw)}	0.3/I _{C(sw)}
L _(min)	(V _{in(min)} -V _{sat} /I _{pk(sw)})*t _{on(max)}	(V _{in(min)} -V _{sat} /I _{pk(sw)})*t _{on(max)}	(V _{in(min)} -V _{sat} /I _{pk(sw)})*t _{on(max)}
C _O	(I _{pk(sw)} *(t _{on} +t _{off}))/(8*V _{ripple(P-P)})	I _{out} *t _{on} /V _{ripple(P-P)}	I _{out} *t _{on} /V _{ripple(P-P)}

V_{sat}: Saturation voltage of the output switch.

V_F: Forward voltage drop of the ringback rectifier.

The following power supply characteristics must be chosen:

V_{in}: Nominal input voltage.

V_{out}: Desired output voltage. |V_{out}|=1.25*(1+RB/RA)

I_{out}: Desired output current

F_{min}: Minimum desired output switching frequency at the selected values for V_{in} and I_{out}.

V_{ripple(P-P)}: Desired peak to peak output ripple voltage in practice, the calculated value will need to be increased due to the capacitor equivalent series resistance and board layout. The ripple voltage should be kept to a low value since it will directly effect the line and load regulation.

BM34063AH

DC-DC CONVERTER

Application Information (Continued)

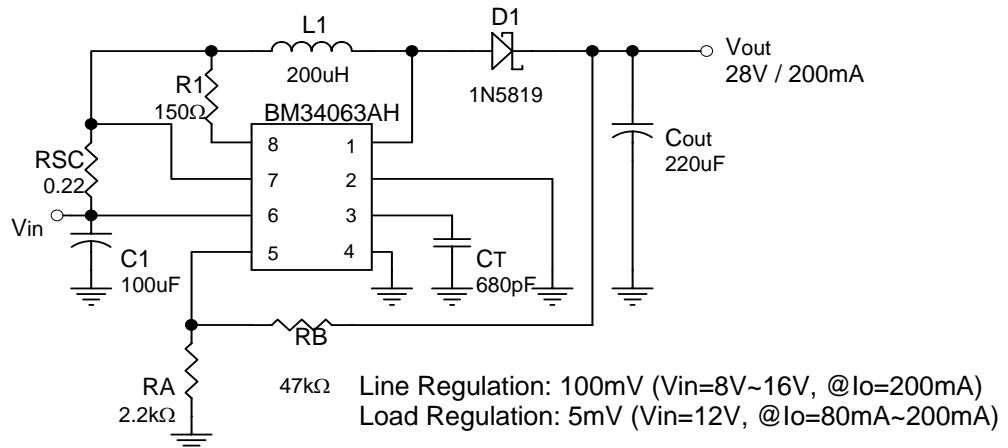


Fig.2 Step-Up Converter

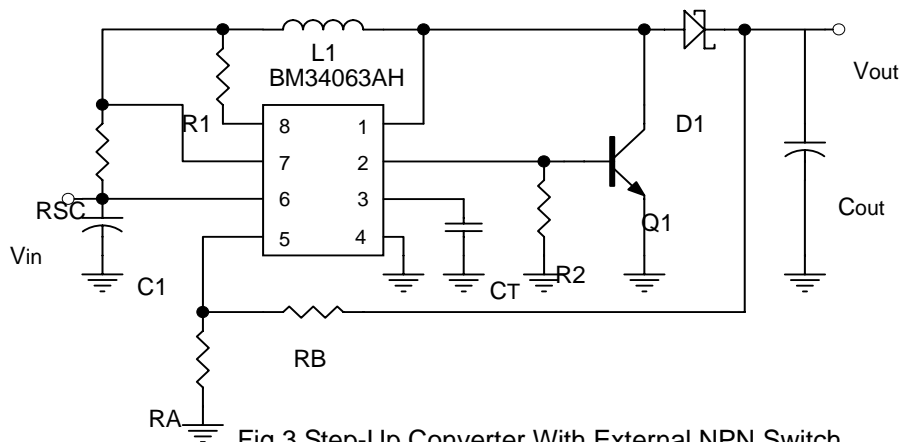


Fig.3 Step-Up Converter With External NPN Switch

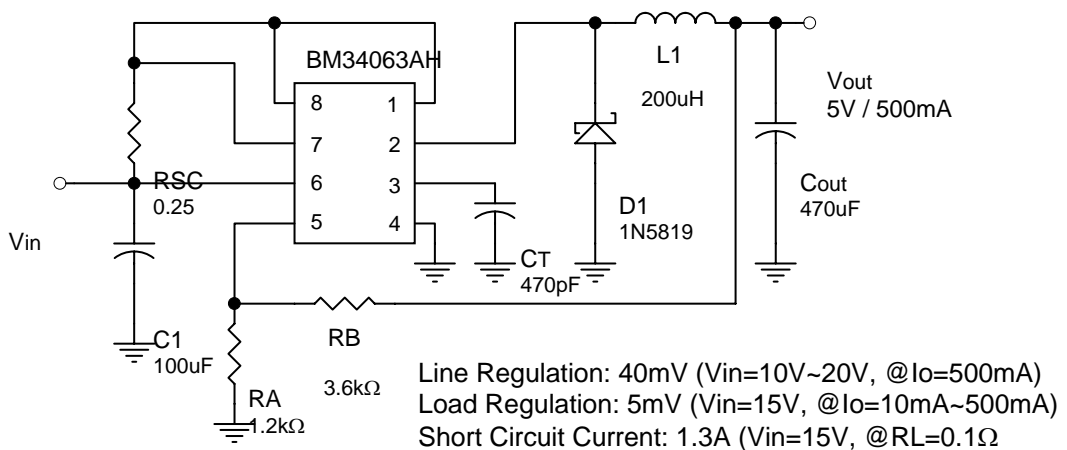


Fig.4 Step-Down Converter

BM34063AH

DC-DC CONVERTER

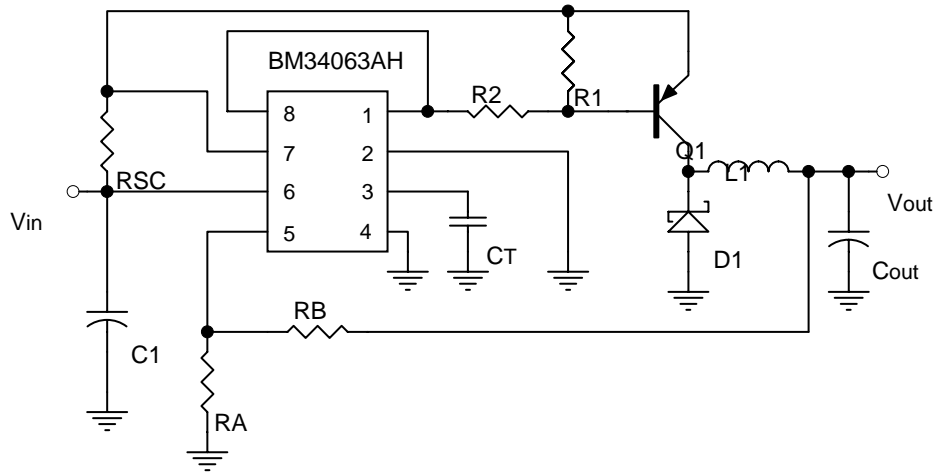


Fig.5 Step-Down Converter With External PNP Saturation Switch

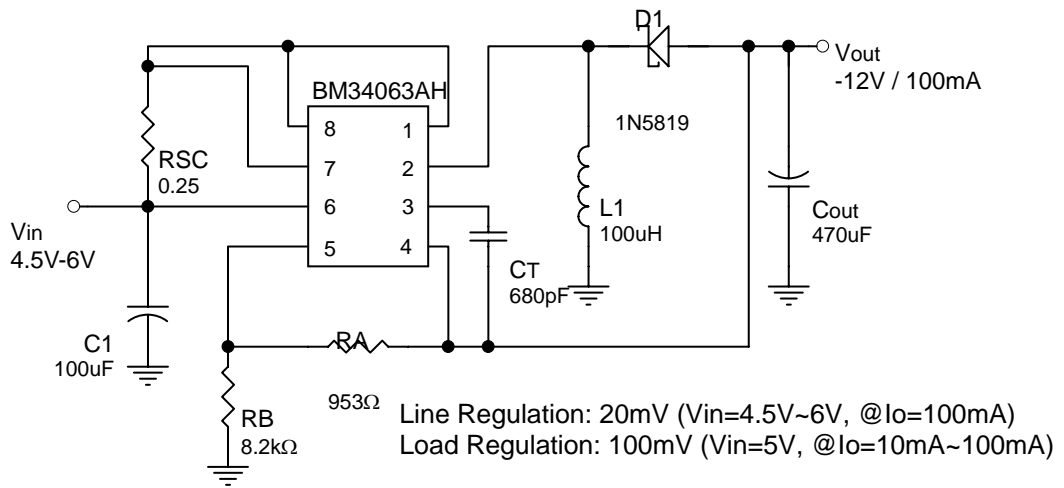


Fig.6 Voltage Inverting Converter

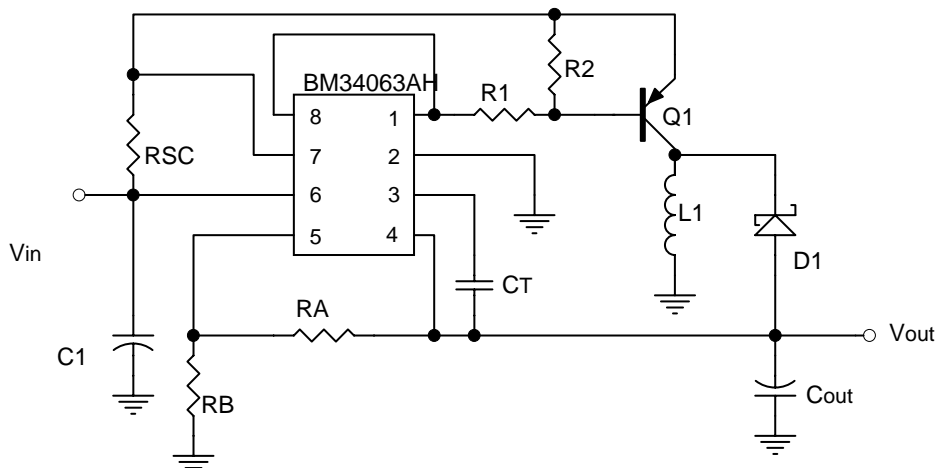
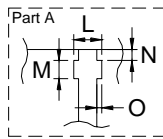
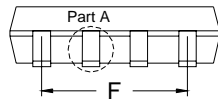
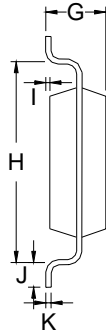
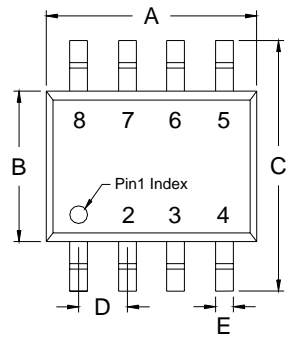


Fig.7 Voltage Inverting Converter With External PNP Saturation Switch

BM34063AH

DC-DC CONVERTER

PACKAGE DIMENSIONS



DIM	Min.	Max.
A	4.85	5.10
B	3.85	3.95
C	5.80	6.20
D	1.22	1.32
E	0.37	0.47
F	3.74	3.88
G	1.45	1.65
H	4.80	5.10
I	0.05	0.20
J	0.30	0.70
K	0.19	0.25
L	0.37	0.52
M	0.23	0.28
N	0.08	0.13
O	0.00	0.15

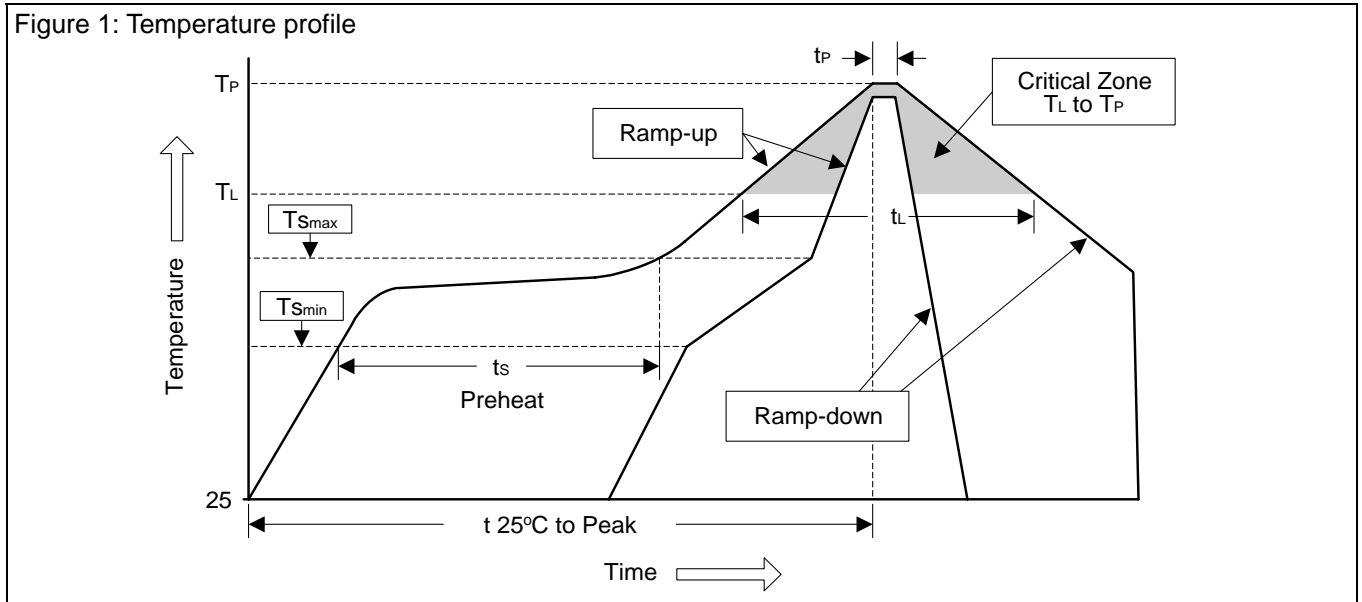
*: Typical, Unit: mm

8-Lead SO-8 Plastic
Surface Mounted Package

Soldering Methods

1. Storage environment: Temperature=10°C~35°C Humidity=65%±15%
2. Reflow soldering of surface-mount devices

Figure 1: Temperature profile



Profile Feature	Sn-Pb Eutectic Assembly	Pb-Free Assembly
Average ramp-up rate (T _L to T _P)	<3°C/sec	<3°C/sec
Preheat		
- Temperature Min (T _{Smin})	100°C	150°C
- Temperature Max (T _{Smax})	150°C	200°C
- Time (min to max) (ts)	60~120 sec	60~180 sec
T _{Smax} to T _L		
- Ramp-up Rate	<3°C/sec	<3°C/sec
Time maintained above:		
- Temperature (T _L)	183°C	217°C
- Time (t _L)	60~150 sec	60~150 sec
Peak Temperature (T _P)	240°C +0/-5°C	260°C +0/-5°C
Time within 5°C of actual Peak Temperature (t _P)	10~30 sec	20~40 sec
Ramp-down Rate	<6°C/sec	<6°C/sec
Time 25°C to Peak Temperature	<6 minutes	<8 minutes

3. Flow (wave) soldering (solder dipping)

Products	Peak temperature	Dipping time
Pb devices.	245°C ±5°C	5sec ±1sec
Pb-Free devices.	260°C +0/-5°C	5sec ±1sec